

TDC and TDF CORNERS

DESCRIPTION

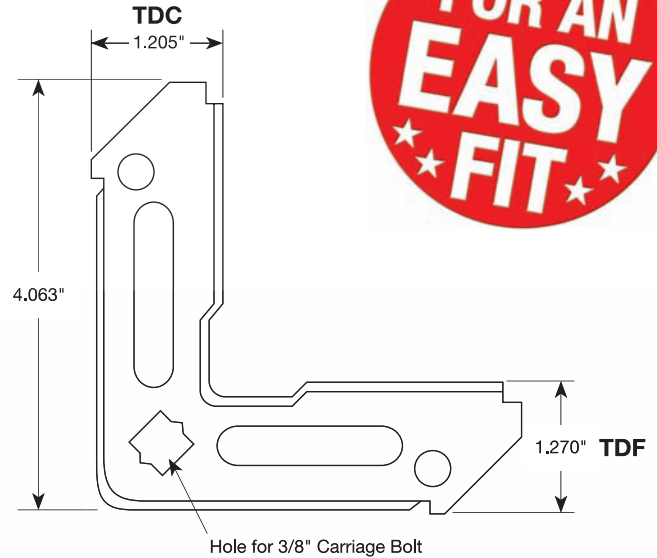
TDC Corners
TDF Corners

BASIC USE

Designed to easily install into 26 through 16 Gauge TDC and/or TDF flanges to securely connect duct sections with 3/8" carriage bolt.

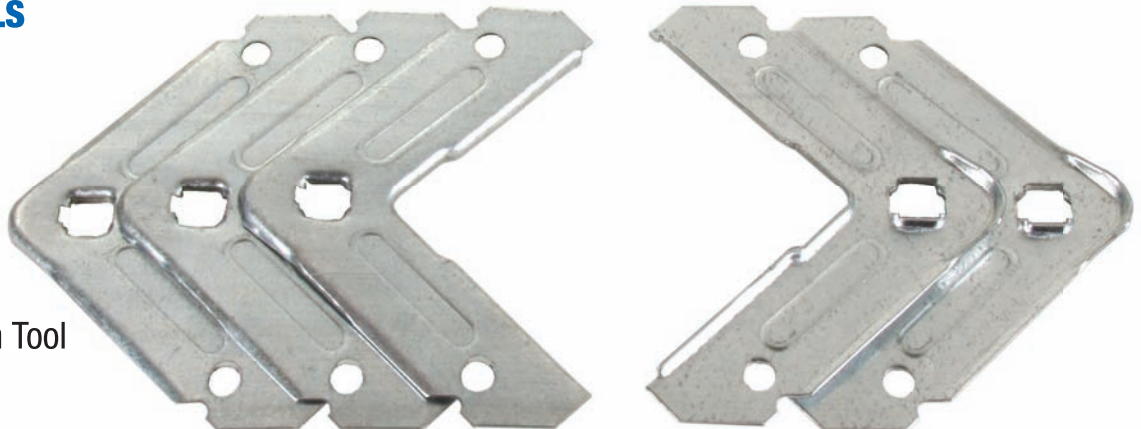
AVAILABLE SIZES

| PART NO. | DESCRIPTION | QUANTITIES |
|----------|------------------------|-------------|
| TDC-16G | TDC CORNERS (16 GAUGE) | 250 PCS/BOX |
| TDF-16G | TDF CORNERS (16 GAUGE) | 250 PCS/BOX |



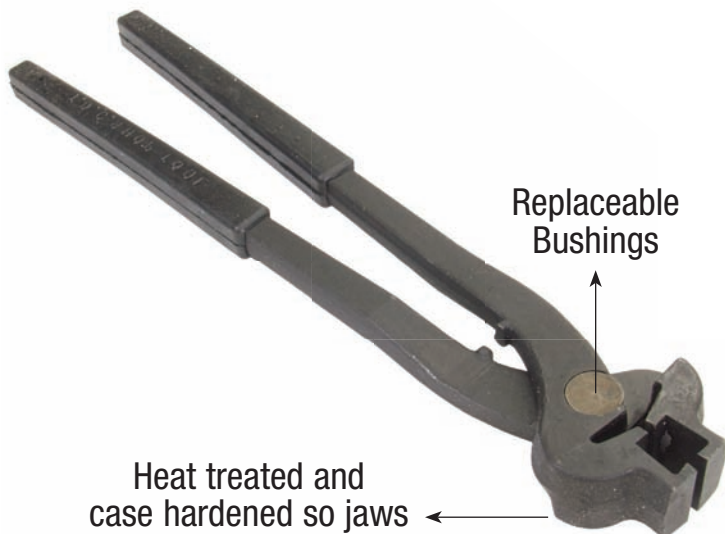
AVAILABLE MATERIALS

16 Gauge Galvanized
16 Gauge Aluminum
304 Stainless Steel
316 Stainless Steel



AVAILABLE TOOLS

MAX Corner Installation Tool



**PATRIOT
HARDWARE**
[AMERICAN MADE]

ALWAYS A PERFECT FIT

(888) 882-3487