

TRI-FITT CORNERS

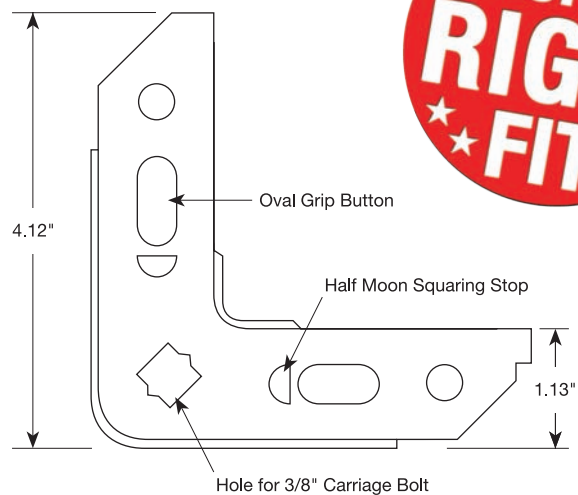
DESCRIPTION

Tri-Fitt Corners

BASIC USE

Tri-Fitt Corners are specially designed to provide a rigid fit in Nexus™, Ductmate 35™ and Ward J-Connect™ slip-on-flange connectors.

This versatile corner is a cost effective alternative to other expensive slip-on-flange corners. Available in both 16 Ga. and 14 Ga. mild steel, the Tri-Fitt Corner will meet any job requirement.

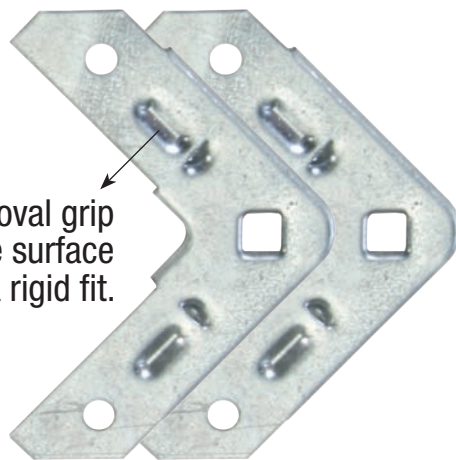
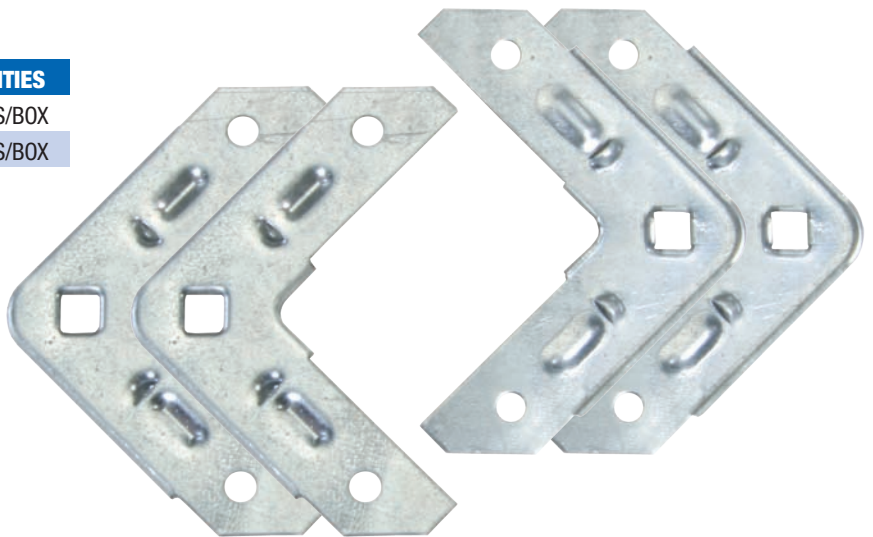


AVAILABLE SIZES

PART NO.	DESCRIPTION	QUANTITIES
TRI-16G	TRI-FITT CORNERS (16 GAUGE)	250 PCS/BOX
TRI-14G	TRI-FITT CORNERS (14 GAUGE)	250 PCS/BOX

AVAILABLE MATERIALS

16 Gauge Galvanized
 14 Gauge Galvanized
 16 Gauge Aluminum
 304 Stainless Steel
 316 Stainless Steel



Specially designed oval grip button gives more surface area for a rigid fit.

PATRIOT
HARDWARE
 [AMERICAN MADE]

ALWAYS A PERFECT FIT

(888) 882-3487

*Nexus is a registered trademark of Lockformer Co.

*Ductmate 35 is a registered trademark of Ductmate Industries Inc.

*Ward J-Connect is a registered trademark of C.L. Ward & Family Inc.